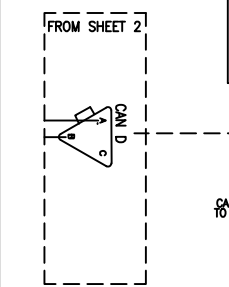


IQAN MD4-7

POWER	24V-	01	BLK
XOS	CAN A LOW	02	GRN
RADAR/GV	CAN B LOW	03	GRN/RED
IQAN EXP	CAN C LOW	04	GRN
TMATIC	CAN D LOW	05	GRN
IQAN	ID L	06	RED
IQAN	ID H	07	RED
TMATIC	CAN D HI	08	YEL/RED
IQAN EXP	CAN C HI	09	YEL/RED
RADAR/GV	CAN B HI	10	YEL/RED
XOS	CAN A HI	11	YEL
POWER	24V+	12	RED

C2 BLK

REAR LTS	DIN	01	
KEY ON	DIN	02	
VCU W/U	DOUT	03	
GV HVL	DOUT	04	
ACC RELAYS	DOUT	05	
IGN RELAYS	DOUT	06	
CHRG ENBL	DIN	07	
ESTOP ID	DIN	08	
FRNT LTS	DIN	09	
-	DIN	10	
POWER	VREF+	11	
-	VREF+	12	



XC21

POWER	24V-	01	BLK
POWER	24V-	02	BLK
IQAN	CAN LOW	03	GRN/RED
IQAN	CAN LOW	04	GRN/RED
IQAN	ID L	05	RED
POWER	24V+ 5A	06	RED
POWER	24V+ 5A	07	RED
IQAN	CAN HI	08	YEL/RED
IQAN	CAN HI	09	YEL/RED
IQAN	ID H	10	YEL/RED

C2

VREF	5V-	01	BLK/RED	CON D-L
VREF	5V-	02	BLK/RED	
VREF	5V-	03	BLK/RED	
VREF	5V+	04	RED/WHT	CON D-H
VREF	5V+	05	RED/WHT	CON D-H
D1 PSI	VIN	06	GRN	CON D-J
VREF	5V+	07	RED/WHT	
LIFT PSI	VIN	08	WHT/BLK	CON D-K

C3

VREF	5V-	01	BLK/RED	CON D-D
SERVICE BRK	PSI VIN	02	WHT/GRY	CON D-M
P BRAKE ID	DIN	03	BLK/WHT	CON D-N
VREF	5V+	04	RED/WHT	
ACC PEDAL	VIN	05	BLU	CON D-F
IGN KEY SW	DIN	06	YEL/BLU	

C4

PK BRAKE IN	DIN	01	RED	CON D-Q
GV ENABLE	DOUT	02	BLU	
F P BRAKE	DOUT	03	WHT/RED	
SHIFT N	DIN	04	GRY	
BRAKE LIT	DOUT	05	PPL	
FRONT LIT	DOUT	06	PPL	
REAR LIT	DOUT	07	PPL	
MOTION LIT	DOUT	08	WHT/BLK	
SEAT SW	DIN	09	BLU	CON D-A
CHARGE SOL	DIN	10	-	
SHIFT R	DIN	11	WHT/BRN	
SHIFT F	DIN	12	WHT ORG	

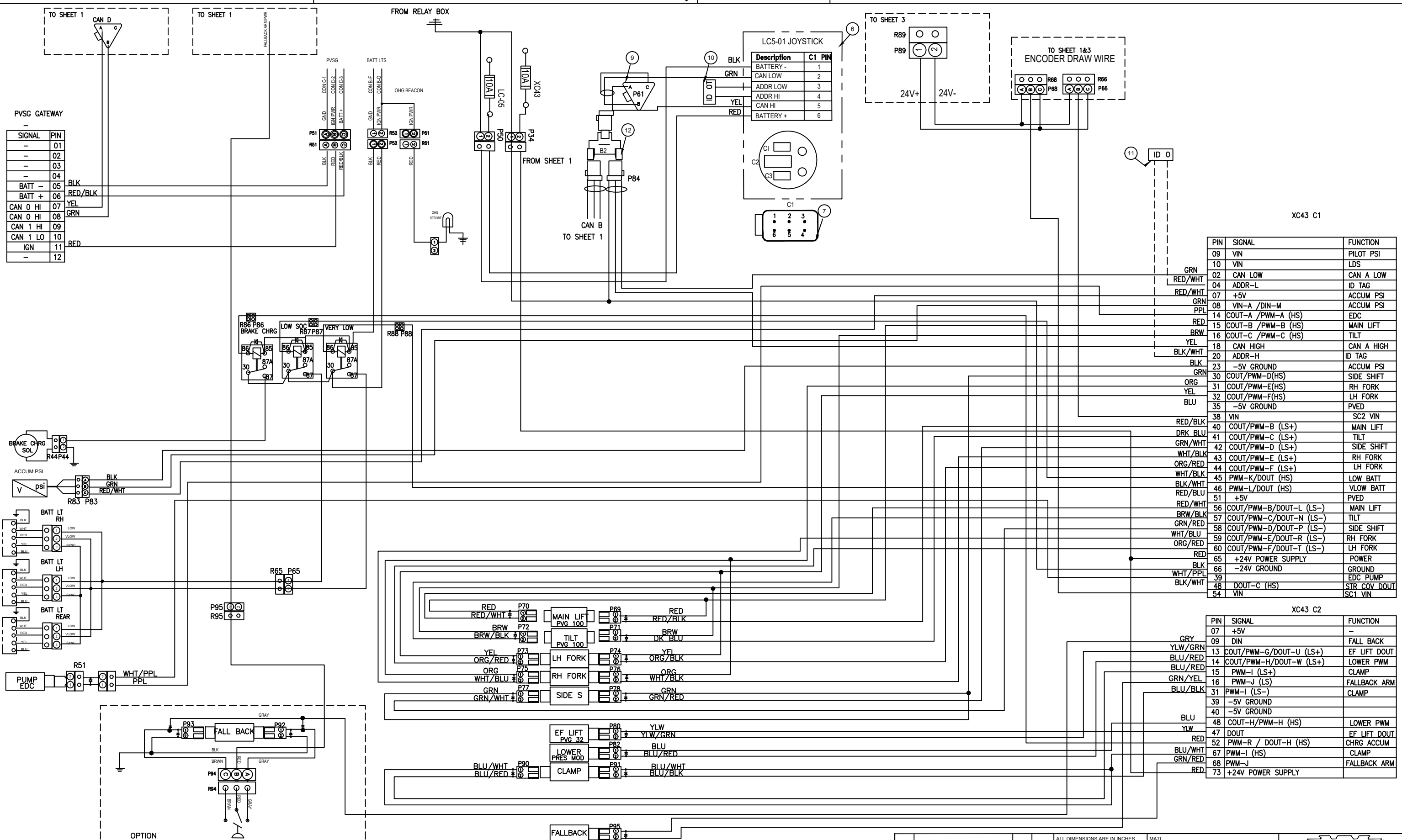
- NOTES:
1. ALL WIRES 16 GA UNLESS OTHERWISE SPECIFIED
  2. REFERENCE S/N 191001

WIGGINS  
2571 CORTEZ STREET, OXNARD, CA 93030

DR WS CHK APP  
NAME ELEC SYS YARD EBULL 55K  
MODEL(S) 55K

CONTRACT NO. \_\_\_\_\_  
CAGE NO. 60764 SCALE 1/2  
SHEET 1 OF 4 D DWG NO 11-YE00135-C084 REV XA

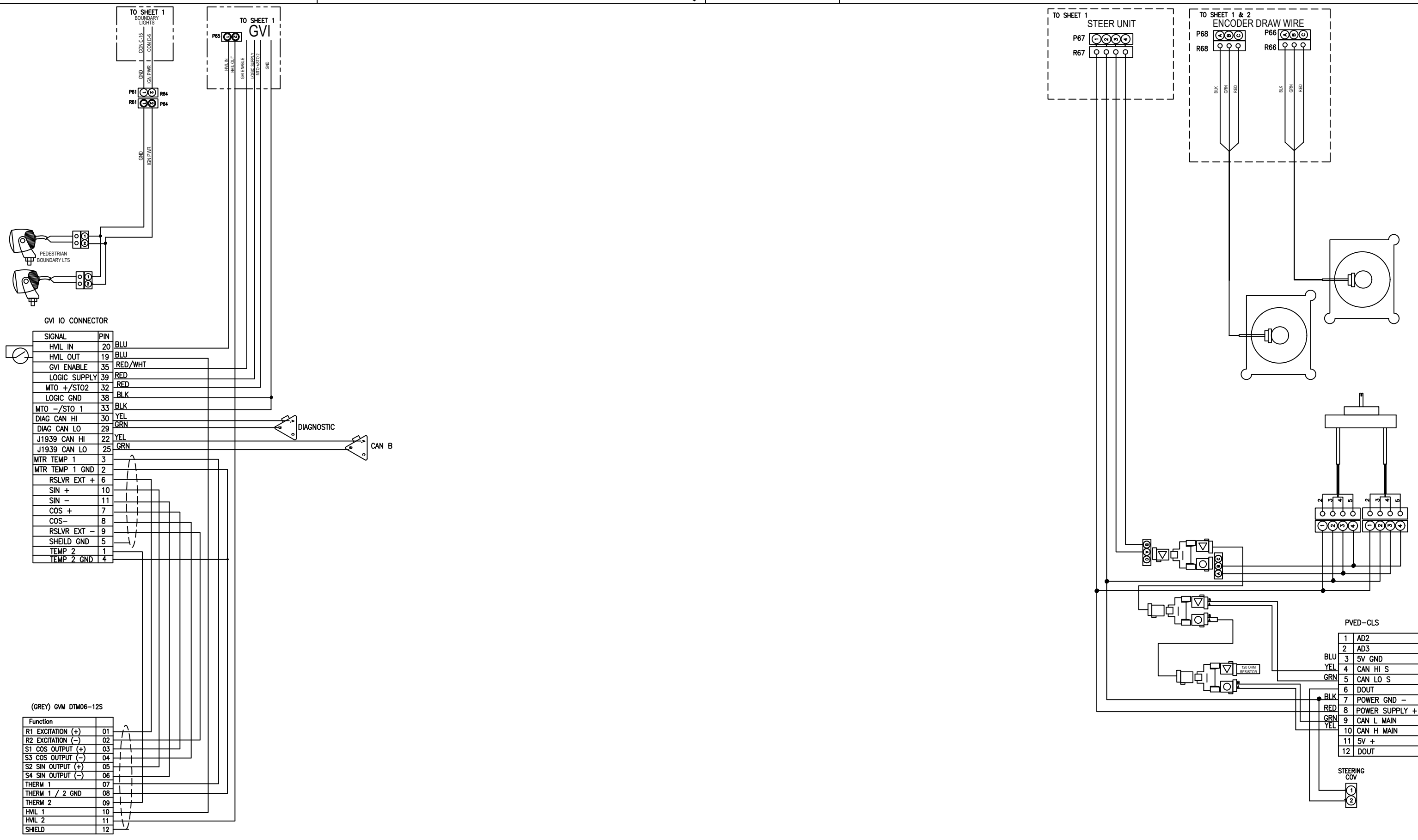
THIS INFORMATION IS CONFIDENTIAL AND IS DISCLOSED TO YOU ON THE CONDITION THAT NO FURTHER DISCLOSURE IS MADE BY YOU TO OTHER THAN WIGGINS PERSONNEL WITHOUT WRITTEN AUTHORIZATION FROM WIGGINS LIFT COMPANY INC., OXNARD, CA.



- NOTES:**
1. ALL WIRES 14 GA UNLESS OTHERWISE SPECIFIED
  2. REFERENCE S/N 191001
  3. SINGLE GROUND TO 24V BATTERY -.

TOLERANCES: 2 PLC DEC ± .030 3 PLC DEC ± .010 4 PLC DEC ± .005 ANGLES ± 0°30'		MATL		 2571 CORTEZ STREET, OXNARD, CA 93030	
DR	WS	CHK	APP	REL	
NAME				ELEC SYS YARD EBULL 55K TIRE HANDLER	
CONTRACT NO.				MODEL(S)	
NC	NEW DOCUMENT	WS	02/25	CAGE NO.	SCALE
LTR	REVISION RECORD	APP	DATE	60764	1/2
SHEET		2 OF 4		D	
DWG NO		11-YE00135-C084		REV XA	

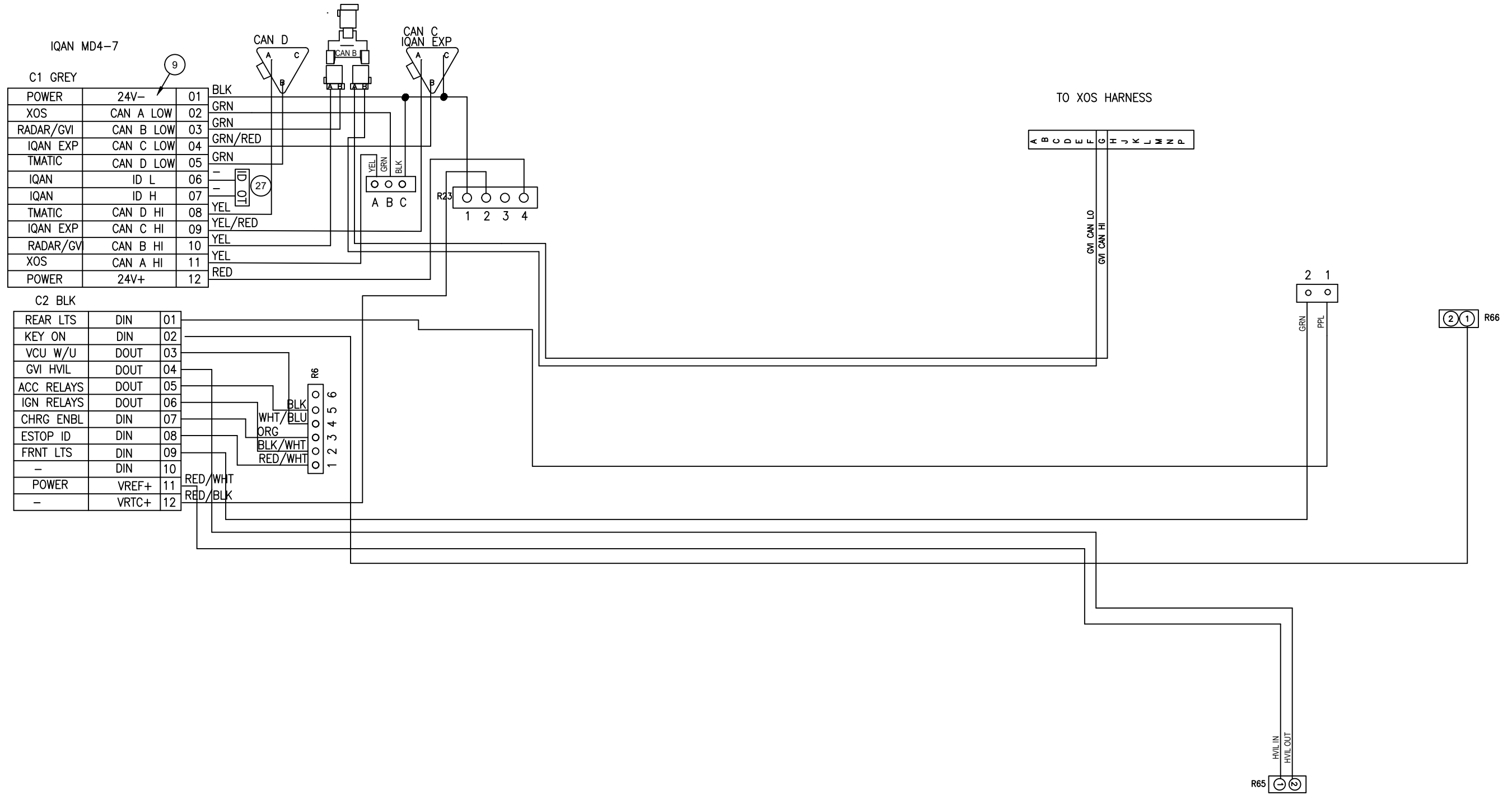
THIS INFORMATION IS CONFIDENTIAL AND IS DISCLOSED TO YOU ON CONDITION THAT NO FURTHER DISCLOSURE IS MADE BY YOU TO OTHER THAN WIGGINS PERSONNEL WITHOUT WRITTEN AUTHORIZATION FROM WIGGINS LIFT COMPANY INC., OXNARD, CA.



- NOTES:**
1. ALL WIRES 14 GA UNLESS OTHERWISE SPECIFIED
  2. REFERENCE S/N 191001
  3. SINGLE GROUND TO 24V BATTERY -.

		ALL DIMENSIONS ARE IN INCHES UNLESS OTHERWISE SPECIFIED.		MATL	
		TOLERANCES: 2 PLC DEC ± .030 3 PLC DEC ± .010 4 PLC DEC ± .005 ANGLES ± 0°30'		 2571 CORTIZ STREET, OXNARD, CA 93030	
		DR	SG	CHK	APP
		NAME			
		ELEC SYS YARD EBULL 55K			
		CONTRACT NO.		MODEL(S)	
B	5V REMOVED FROM PVED 12PIN	SG	10/25/23		
A	PINS FOR LOWER AND EF LIFT SWAPPED	SG	10/25/23		
NC	NEW DOCUMENT	CSM	01/22	CAGE NO.	SCALE
LTR	REVISION RECORD	APP	DATE	60764	1/2
		SHEET		3 OF 4	
		DWG NO		11-YE00135-C084	
		REV		XA	

THIS INFORMATION IS CONFIDENTIAL AND IS DISCLOSED TO YOU ON CONDITION THAT NO FURTHER DISCLOSURE IS MADE BY YOU TO OTHER THAN WIGGINS PERSONNEL WITHOUT WRITTEN AUTHORIZATION FROM WIGGINS LIFT COMPANY INC., OXNARD, CA



IQAN MD4-7

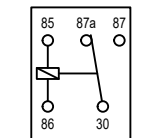
C1 GREY

POWER	24V-	01	BLK
XOS	CAN A LOW	02	GRN
RADAR/GVI	CAN B LOW	03	GRN
IQAN EXP	CAN C LOW	04	GRN/RED
TMATIC	CAN D LOW	05	GRN
IQAN	ID L	06	-
IQAN	ID H	07	-
TMATIC	CAN D HI	08	YEL
IQAN EXP	CAN C HI	09	YEL/RED
RADAR/GVI	CAN B HI	10	YEL
XOS	CAN A HI	11	YEL
POWER	24V+	12	RED

C2 BLK

REAR LTS	DIN	01	
KEY ON	DIN	02	
VCU W/U	DOUT	03	
GVI HVIL	DOUT	04	
ACC RELAYS	DOUT	05	
IGN RELAYS	DOUT	06	
CHRG ENBL	DIN	07	BLK
ESTOP ID	DIN	08	WHT/BLU
FRNT LTS	DIN	09	ORG
-	DIN	10	BLK/WHT
POWER	VREF+	11	RED/WHT
-	VRTC+	12	RED/BLK

- NOTES:
1. ALL WIRES 16 GA UNLESS OTHERWISE SPECIFIED
  - 2.

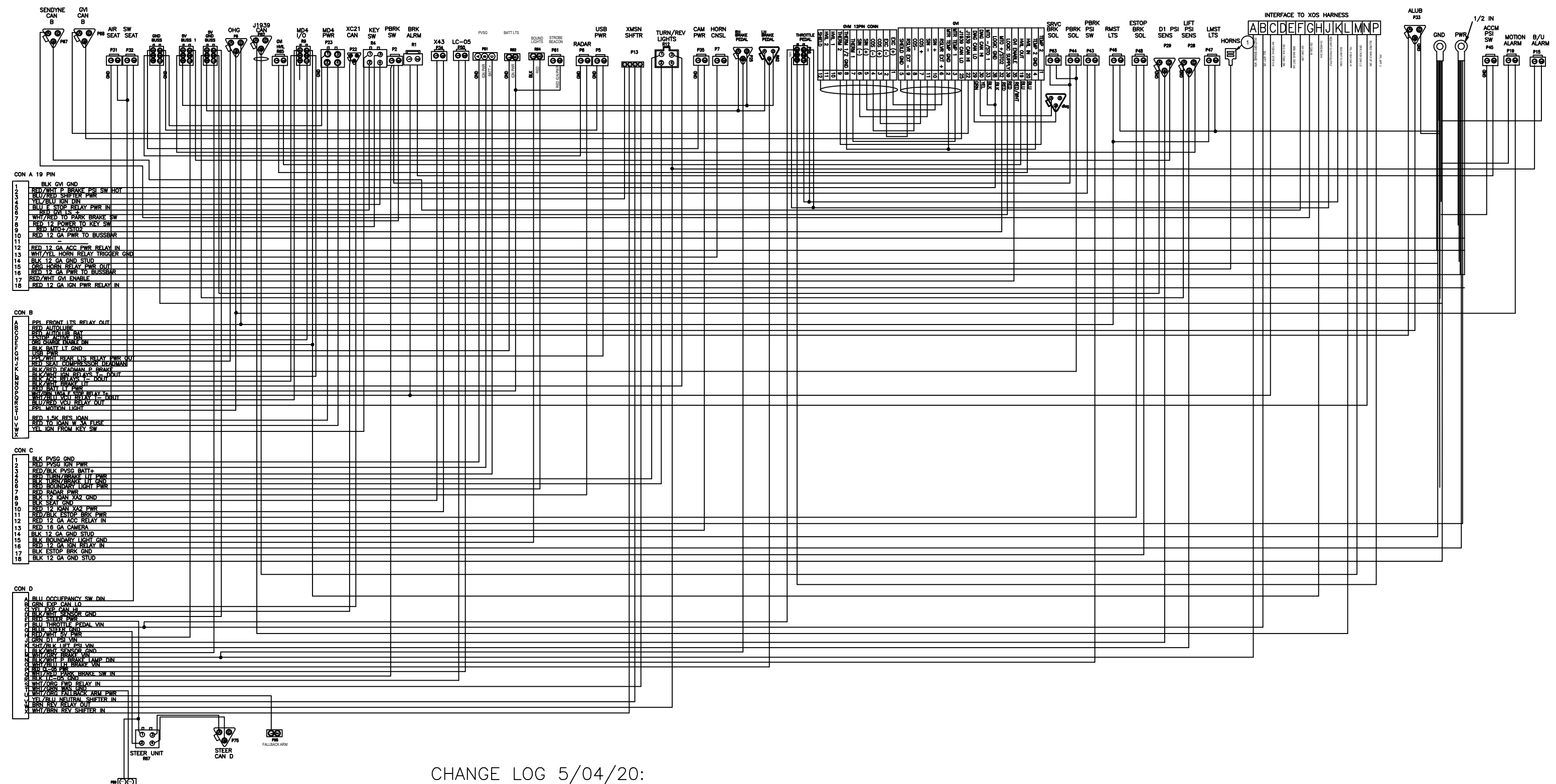


RELAY CIRCUIT

TOLERANCES: 2 PLC DEC ± .030 3 PLC DEC ± .010 4 PLC DEC ± .005 ANGLES ± 0°30'			MATERIAL		 2511 CORTEZ STREET, OXFORD, CA 95330	
DR	SG	CHK	APP	REL	NAME HARNES MD4 IQAN YARD EBULL	
CONTRACT NO.				MODEL(S)		
NC	PRODUCTION RELEASE	SG	7/7/22	CAGE NO.	SCALE	SHEET
LTR	REVISION RECORD	APP	DATE	60764	1/1	1 OF 1
DWG NO			150033		REV NC	

THIS INFORMATION IS CONFIDENTIAL AND IS DISCLOSED TO YOU ON CONDITION THAT NO FURTHER DISCLOSURE IS MADE BY YOU TO OTHER THAN WIGGINS PERSONNEL WITHOUT WRITTEN AUTHORIZATION FROM WIGGINS LIFT COMPANY INC., OXFORD, CA.





CON A 19 PIN

1	BLK GV GND
2	RED WHT 12 BRK SW HOY
3	BLU/RED SHIFTR PWR
4	YEL/BLU IGN DIN
5	BLU 12 STOP DELAY PWR IN
6	RED GV 12
7	WHT/RED TO PARK BRAKE SW
8	RED 12 POWER TO KEY SW
9	RED MIC/STOZ
10	RED 12 GA PWR TO BUSSBAR
11	
12	RED 12 GA ACC PWR RELAY IN
13	WHT/YEL HORN RELAY TRIGGER GND
14	BLK 12 GA GND STUD
15	ORG HORN RELAY PWR OUT
16	RED 12 GA PWR TO BUSSBAR
17	RED/WHT GV ENABLE
18	RED 12 GA IGN PWR RELAY IN

CON B

A	PPI FRONT LTS RELAY OUT
B	RED AUTO LUBE
C	RED AUTO LUBE BAY
D	ESTOP ACTIVE IN
E	ORG ESTOP ANGLE IN
F	BLK BATT LT GND
G	USB PWR
H	RED WHT REAR LTS RELAY PWR OUT
I	RED SEAT COMPRESSOR DEADMAN
J	BLK/RED DEADMAN P BRAKE
K	BLK/WHT IGN RELAYS - DOUT
L	BLK ACC RELAYS IC - DOUT
M	RED BATT LT PWR
N	WHT/RED WHT SW RELAY IN
O	BLU/RED YCU RELAY OUT
P	PPI MIRROR LIGHT
Q	RED 1.5K RFS ION
R	RED 10 CAN W 3A FUSE
S	YEL IGN FROM KEY SW

CON C

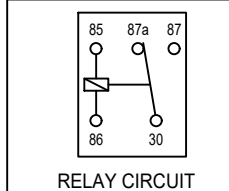
1	BLK PVSG GND
2	RED PVSG IGN PWR
3	RED/BLK PVSG BATT+
4	RED TURN/BRK LT PWR
5	BLK TURN/BRK LT GND
6	RED BOUNDARY LIGHT PWR
7	RED RADAR PWR
8	BLK 12 CAN XA2 GND
9	BLK SEAT GND
10	RED 12 CAN YA2 PWR
11	RED/BLK ESTOP BRK PWR
12	RED 12 GA ACC RELAY IN
13	RED 16 GA CAMERA
14	BLK 12 GA GND STUD
15	BLK BOUNDARY LIGHT GND
16	RED 12 GA IGN RELAY IN
17	BLK ESTOP BRK GND
18	BLK 12 GA GND STUD

CON D

A	BLU OCCUPANCY SW DIN
B	GRN EXP CAN LO
C	YEL EXP CAN HI
D	BLK/WHT SENSOR GND
E	RED SHIFTR PWR
F	BLU THROTTLE PEDAL VIN
G	BLU SHIFTR GND
H	RED WHT SV PWR
I	GRN D1 PSI VIN
J	SHU/BLK LH BRK VIN
K	SHU/BLK LH BRK GND
L	WHT/RED BRAKE LAMP DIN
M	WHT/BLU LH BRAKE VIN
N	WHT/RED PARK BRAKE SW IN
O	BLK 12 CAN
P	WHT/ORG FWD RELAY IN
Q	WHT/GRN BATT GND
R	WHT/GRN FALKER ARM PWR
S	YEL/BLU NEUTRAL SHIFTER IN
T	BRN REV RELAY OUT
X	WHT/BRN REV SHIFTER IN

CHANGE LOG 5/04/20:  
 ADD CONNECTOR P61, R62, R64  
 ADD WIRE LH BRAKE COND-0  
 ADD WIRE BOUND LIT PWR CONC-6  
 ADD WIRE BOUND LIT GND CONC-15

NOTES:  
 1. ALL WIRES 16 GA UNLESS OTHERWISE SPECIFIED  
 2. USE SHIELD CABLE FOR CAN BUS AND SENSORS.



NC	PRODUCTION RELEASE	WS	5/20	CAGE NO.	SCALE	SHEET	D	DWG	164366	REV	NC
LTR	REVISION RECORD	APP	DATE	60764	1/1	1 OF 2		NO			

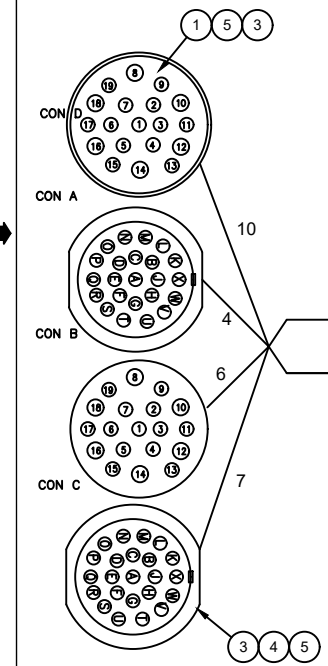
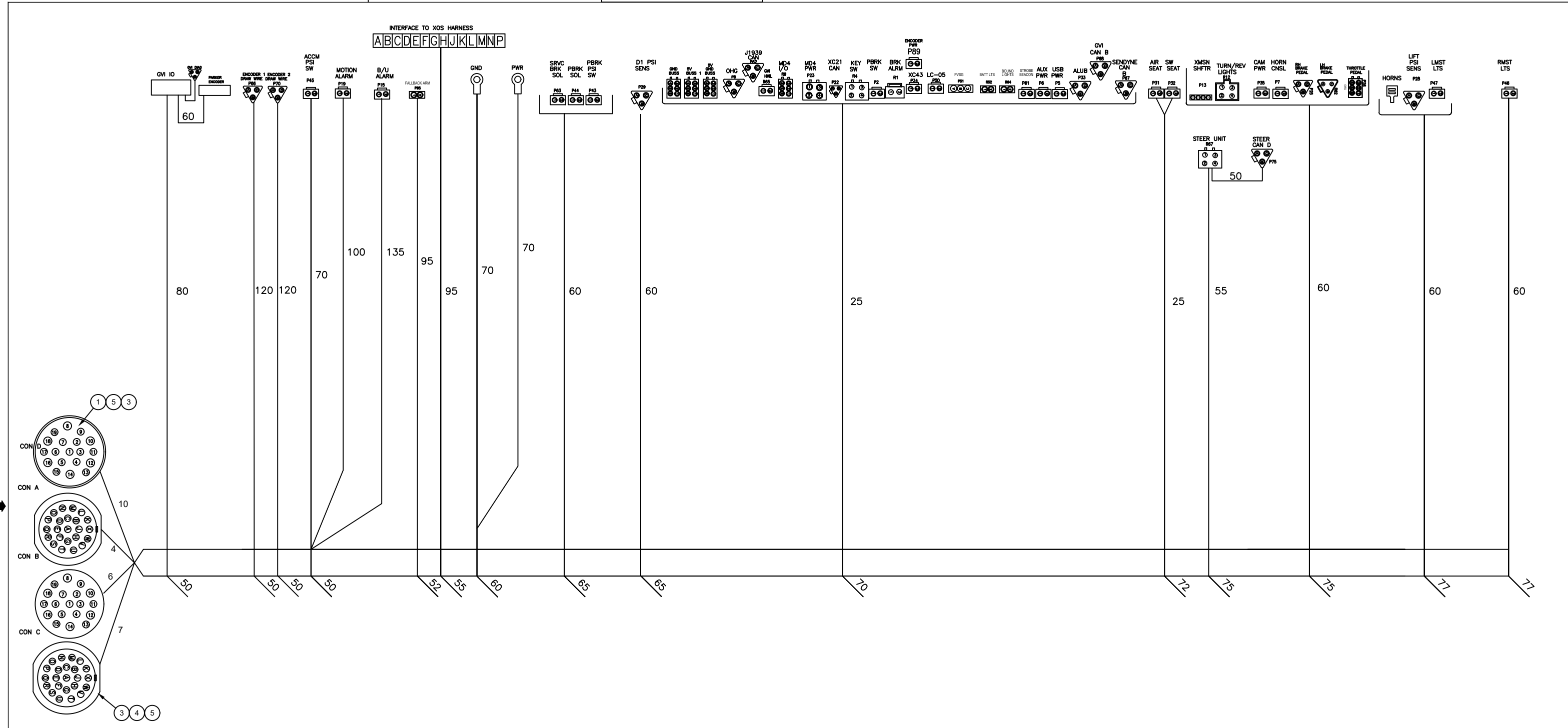
ALL DIMENSIONS ARE IN INCHES UNLESS OTHERWISE SPECIFIED.  
 TOLERANCES:  
 2 PLC DEC ± .030  
 3 PLC DEC ± .010  
 4 PLC DEC ± .005  
 ANGLES ± 0°30'

CONTRACT NO. MODEL(S) TIRE HANDLER

MATL. DR WS CHK APP REL. NAME HARNESS MAIN EBULL G3 55K TH

WIGGINS LIFT COMPANY INC. 2571 CORTIZ STREET, OXNARD, CA 93030

THIS INFORMATION IS CONFIDENTIAL AND IS DISCLOSED TO YOU ON CONDITION THAT NO FURTHER DISCLOSURE IS MADE BY YOU TO OTHER THAN WIGGINS PERSONNEL WITHOUT WRITTEN AUTHORIZATION FROM WIGGINS LIFT COMPANY INC., OXNARD, CA

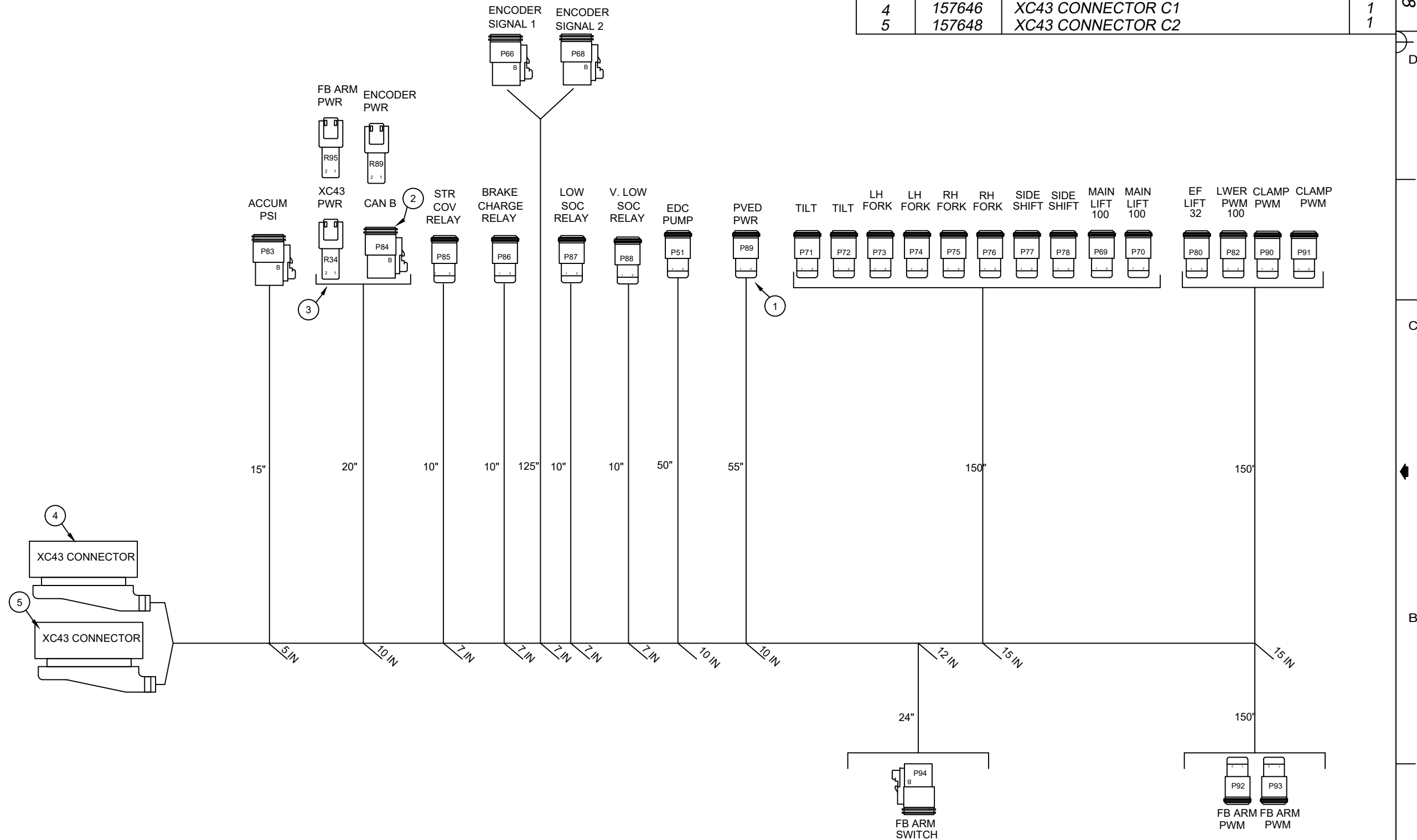


- NOTES:**
1. ALL WIRES 16 GA UNLESS OTHERWISE SPECIFIED
  - 2.

<p>RELAY CIRCUIT</p>		ALL DIMENSIONS ARE IN INCHES UNLESS OTHERWISE SPECIFIED. TOLERANCES: 2 PLC DEC ± .030 3 PLC DEC ± .010 4 PLC DEC ± .005 ANGLES ± 0°30'		MATL. DR WS CHK APP REL NAME <b>HARNES MAIN YEBULL G3 55k</b> CONTRACT NO. MODEL(S)		 2571 CORTIZ STREET, OXNARD, CA 93030					
NC	PRODUCTION RELEASE	WS	2/25	CAGE NO.	SCALE	SHEET	D	DWG NO.	164366	REV	NC
LTR	REVISION RECORD	APP	DATE	60764	1/1	2 OF 2					

THIS INFORMATION IS CONFIDENTIAL AND IS DISCLOSED TO YOU ON CONDITION THAT NO FURTHER DISCLOSURE IS MADE BY YOU TO OTHER THAN WIGGINS PERSONNEL WITHOUT WRITTEN AUTHORIZATION FROM WIGGINS LIFT COMPANY INC., OXNARD, CA.

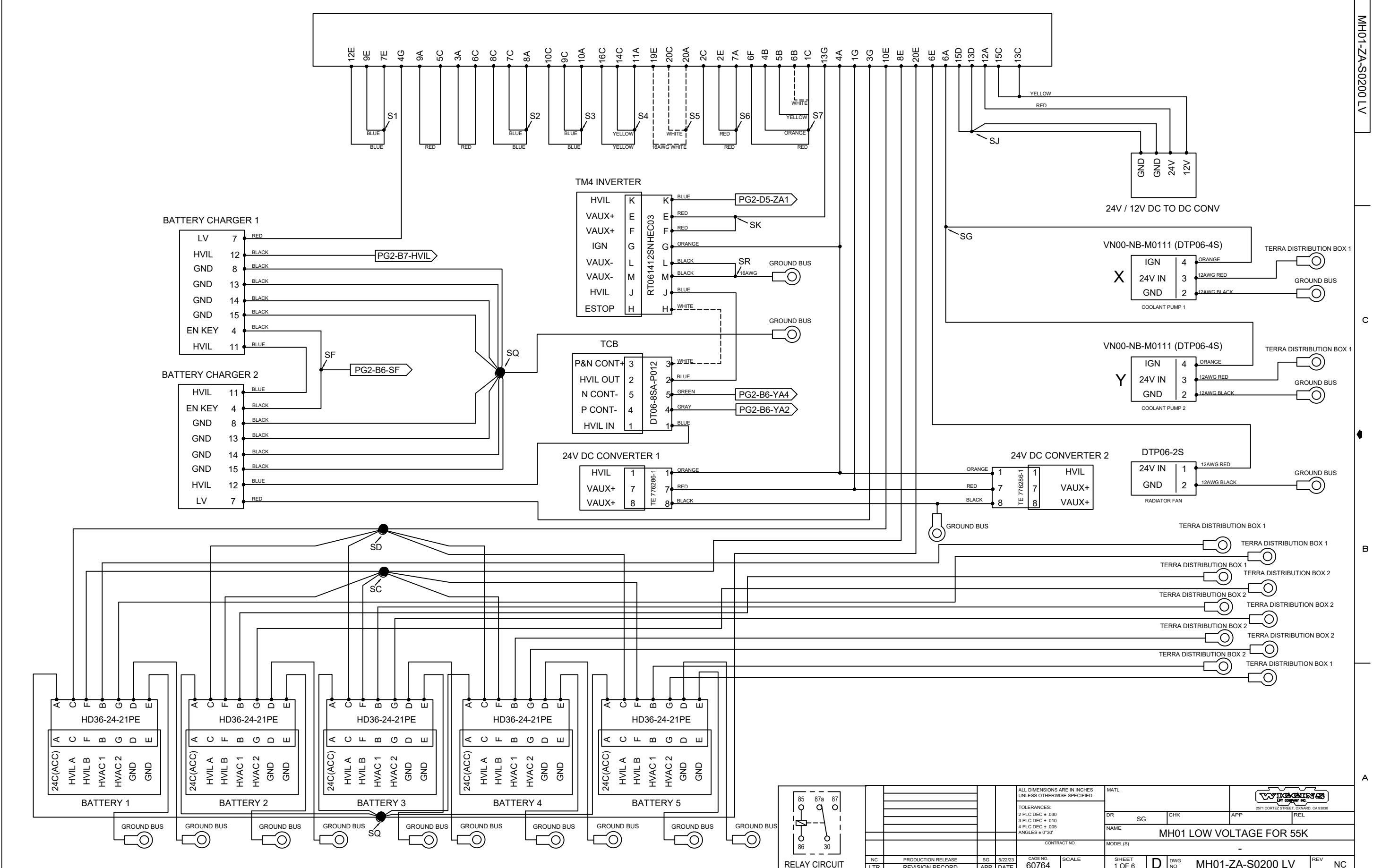
ITEM	PART NO	DESCRIPTION	QTY
1	107545	CONNECTOR DEUTSCH PLUG 2S	21
2	115756	CONNECTOR DEUTSCH PLUG 3S	3
3	107597	CONNECTOR DEUTSCH REC 2P	1
4	157646	XC43 CONNECTOR C1	1
5	157648	XC43 CONNECTOR C2	1



THIS INFORMATION IS CONFIDENTIAL AND IS DISCLOSED TO YOU ON CONDITION THAT NO FURTHER DISCLOSURE IS MADE BY YOU TO OTHER THAN WIGGINS PERSONNEL WITHOUT WRITTEN AUTHORIZATION FROM WIGGINS LIFT COMPANY INC., OXNARD, CA.

				ALL DIMENSIONS ARE IN INCHES UNLESS OTHERWISE SPECIFIED.		MATERIAL		 2571 CORTEZ STREET, OXNARD, CA 93030				
				TOLERANCES: 2 PLC DEG ± .060 3 PLC DEG ± .030 4 PLC DEG ± .015 ANGLES ± 1°		DR	SG			CHK	APP	REL
						NAME				<b>HARNESS XC43 EBULL 55K</b>		
						MODEL(S)						
				CONTRACT NO.								
NC	PRODUCTION RELEASE		SG	2/22/23	CAGE NO.	SCALE	SHEET	C	DWG NO.	158488	REV	NC
LTR	REVISION RECORD		APP	DATE	60764	NTS	1 OF 1					

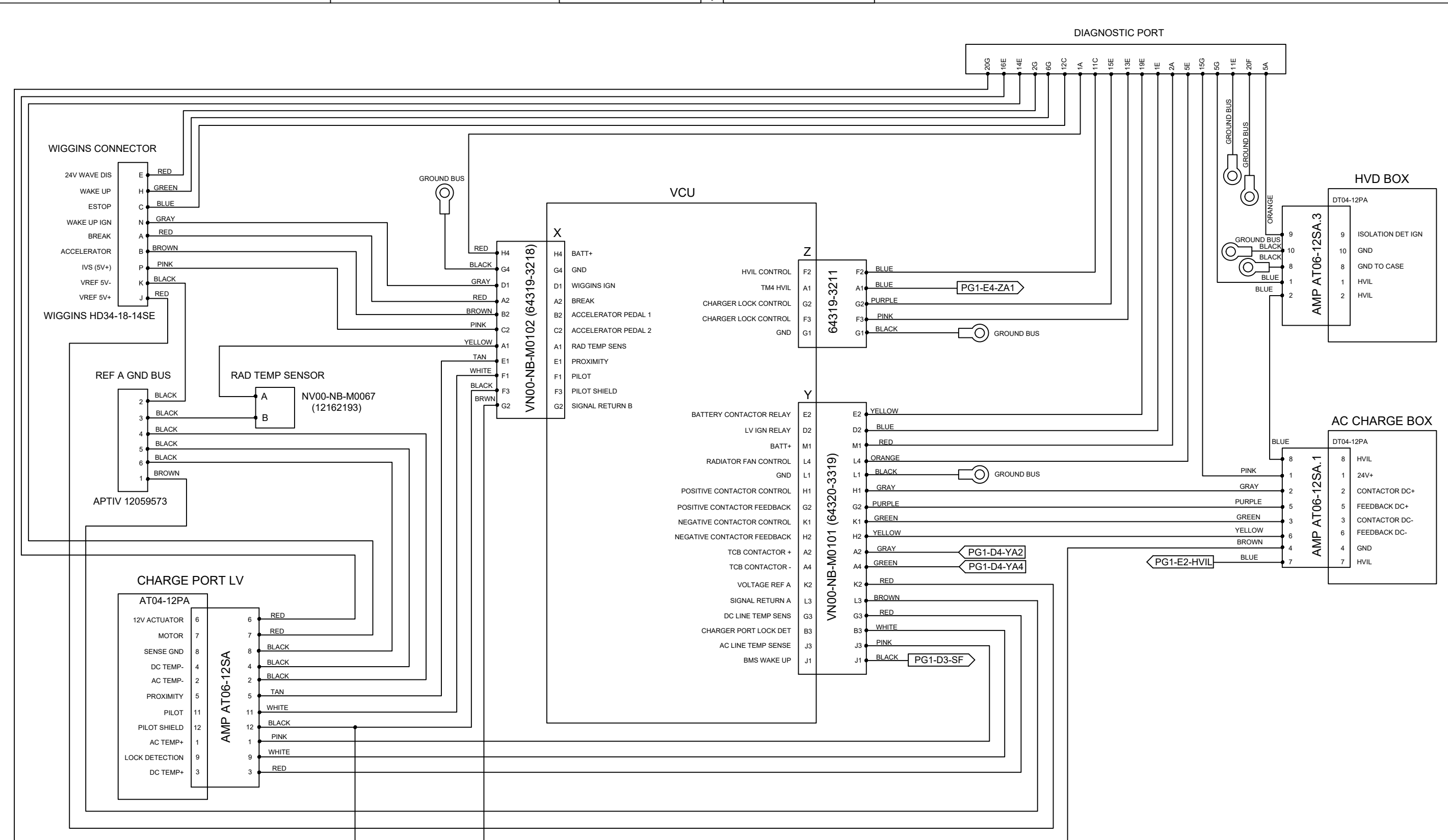




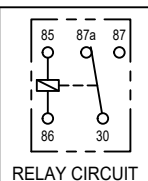
THIS INFORMATION IS CONFIDENTIAL AND IS DISCLOSED TO YOU ON CONDITION THAT NO FURTHER DISCLOSURE IS MADE BY YOU TO OTHER THAN WIGGINS PERSONNEL WITHOUT WRITTEN AUTHORIZATION FROM WIGGINS LIFT COMPANY INC., CORNARO, CA.

DFCRM\_M1

ALL DIMENSIONS ARE IN INCHES UNLESS OTHERWISE SPECIFIED. TOLERANCES: 2 PLC DEC ± .030 3 PLC DEC ± .010 4 PLC DEC ± .005 ANGLES ± 0°30'		MATL. DR SG CHK APP NAME: <b>MH01 LOW VOLTAGE FOR 55K</b> MODEL(S):	
CONTRACT NO.		WIGGINS 2511 CORTEZ STREET, OXNARD, CA 93030	
NC LTR	PRODUCTION RELEASE REVISION RECORD	SG APP DATE	CAGE NO. 60764 SCALE SHEET 1 OF 6 DWG NO. MH01-ZA-S0200 LV REV NC

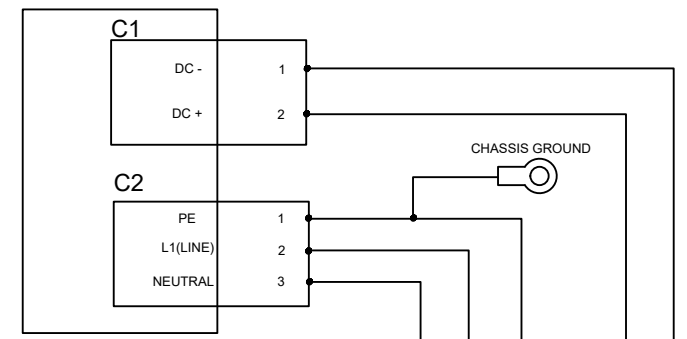


THIS INFORMATION IS CONFIDENTIAL AND IS DISCLOSED TO YOU ON CONDITION THAT NO FURTHER DISCLOSURE IS MADE BY YOU TO OTHER THAN WIGGINS PERSONNEL WITHOUT WRITTEN AUTHORIZATION FROM WIGGINS LIFT COMPANY INC., OXFORD, CA.

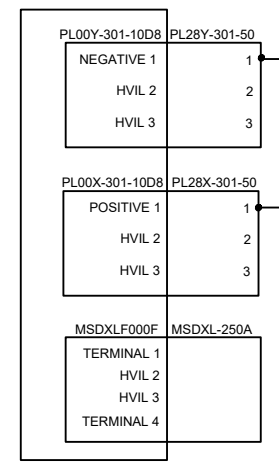


TOLERANCES: 2 PLC DEC ± .030 3 PLC DEC ± .010 4 PLC DEC ± .005 ANGLES ± 0°30'		MATERIAL	
DR	SG	CHK	APP
NAME		MODEL(S)	
MH01 VCU FOR 55K			
CONTRACT NO.	CAGE NO.	SCALE	SHEET
	60764		2 OF 6
DATE	DATE	REV	NO
5/23/23			
PRODUCTION RELEASE		DWG NO	
REVISION RECORD		MH01-ZA-S0200 VCU	
NC	APP	REV	NC

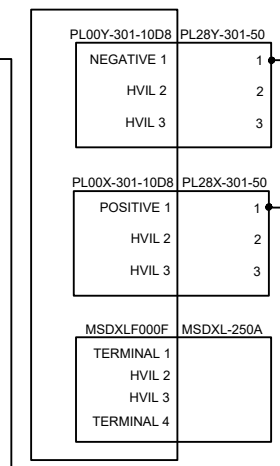
CHARGE PORT



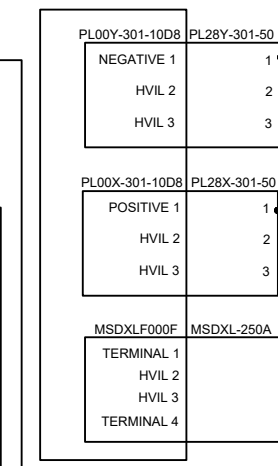
BATTERY 1



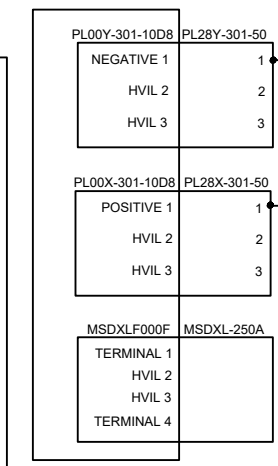
BATTERY 2



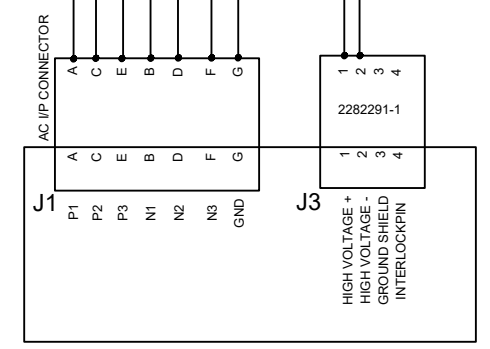
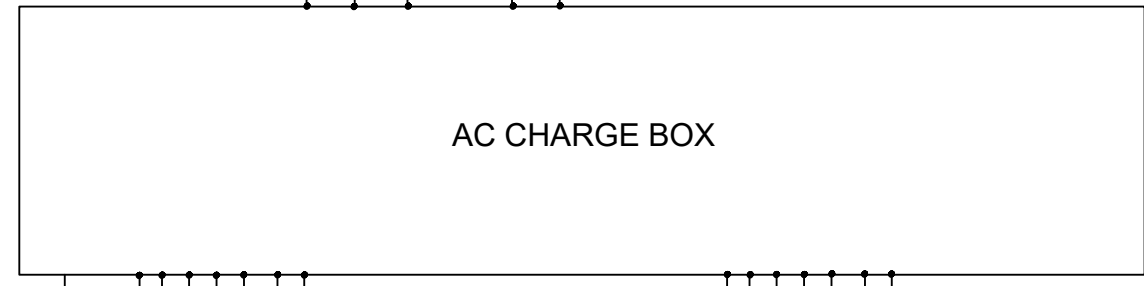
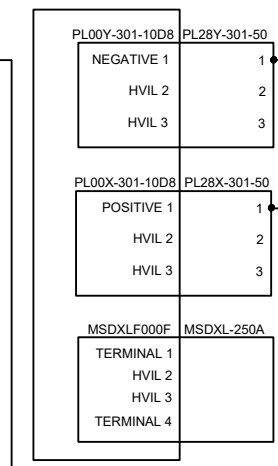
BATTERY 3



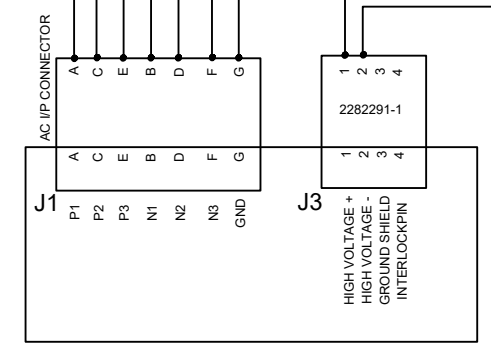
BATTERY 4



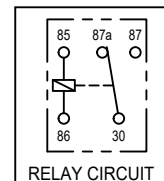
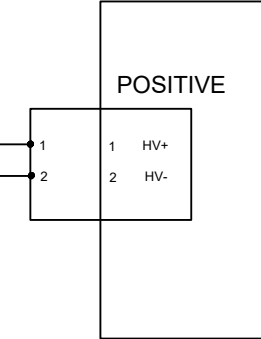
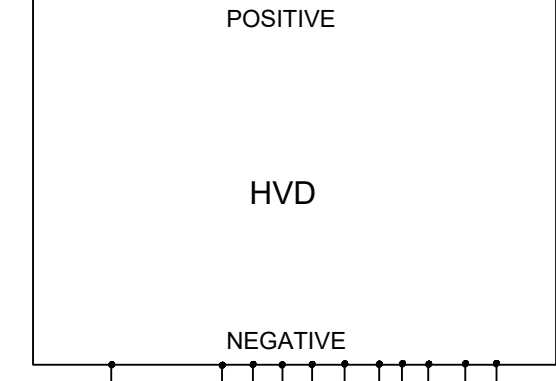
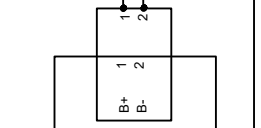
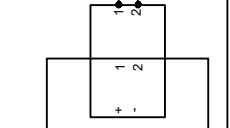
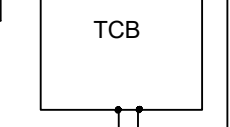
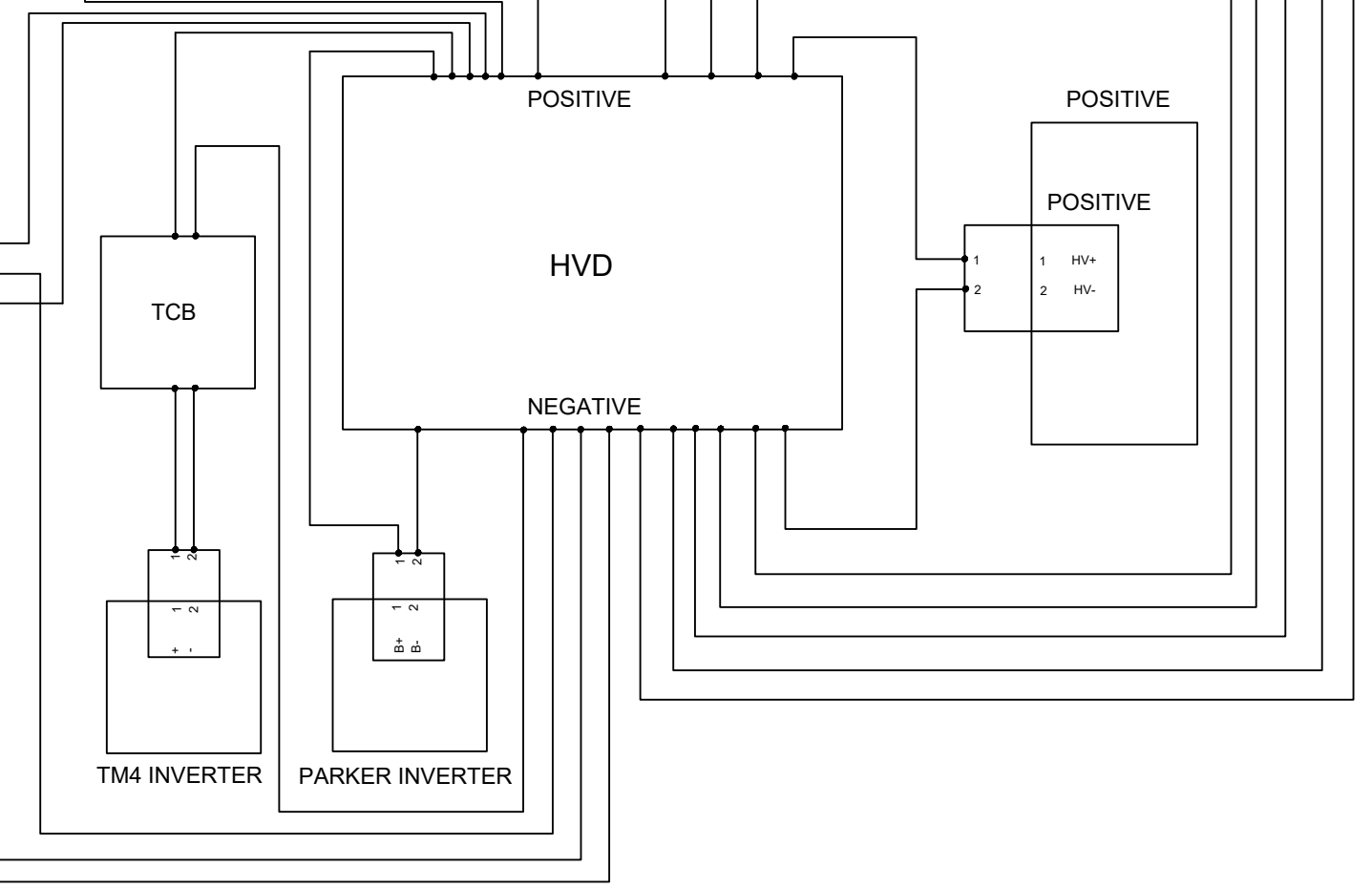
BATTERY 5



BATTERY CHARGER 1  
MASTER



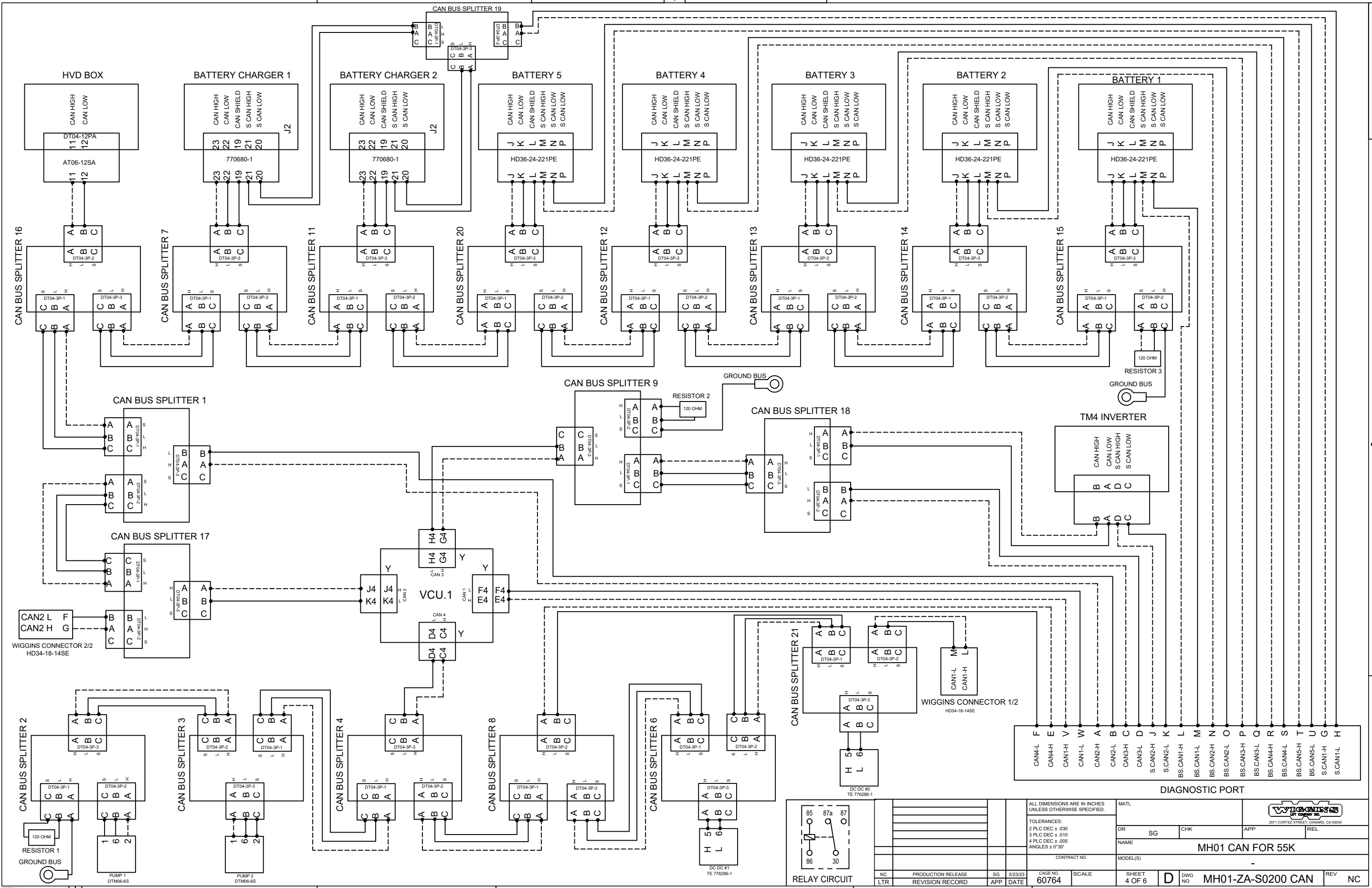
BATTERY CHARGER 1  
SLAVE



ALL DIMENSIONS ARE IN INCHES UNLESS OTHERWISE SPECIFIED. TOLERANCES: 2 PLC DEC ± .030 3 PLC DEC ± .010 4 PLC DEC ± .005 ANGLES ± 0°30'		MATL. DR SG CHK APP NAME MODEL(S)	
CONTRACT NO.		2511 CORTEZ STREET, OXFORD, CA 95330 <b>WIGGINS</b>	
CAGE NO. 60764	SCALE	SHEET 3 OF 6	DWG NO. MH01-ZA-S0200 HV
NC LTR	PRODUCTION RELEASE REVISION RECORD	SG 5/23/23 APP DATE	REV NC

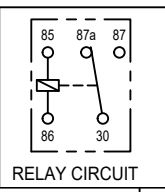
THIS INFORMATION IS CONFIDENTIAL AND IS DISCLOSED TO YOU ON CONDITION THAT NO FURTHER DISCLOSURE IS MADE BY YOU TO OTHER THAN WIGGINS PERSONNEL WITHOUT WRITTEN AUTHORIZATION FROM WIGGINS LIFT COMPANY INC., OXFORD, CA.

THIS INFORMATION IS CONFIDENTIAL AND IS DISCLOSED TO YOU ON CONDITION THAT NO FURTHER DISCLOSURE IS MADE BY YOU TO OTHER THAN WIGGINS PERSONNEL WITHOUT WRITTEN AUTHORIZATION FROM WIGGINS LIFT COMPANY INC., OAKLAND, CA.



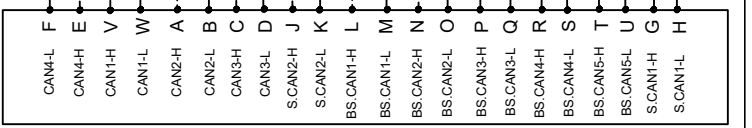
DFCRM\_M1

AutoCAD Drawing



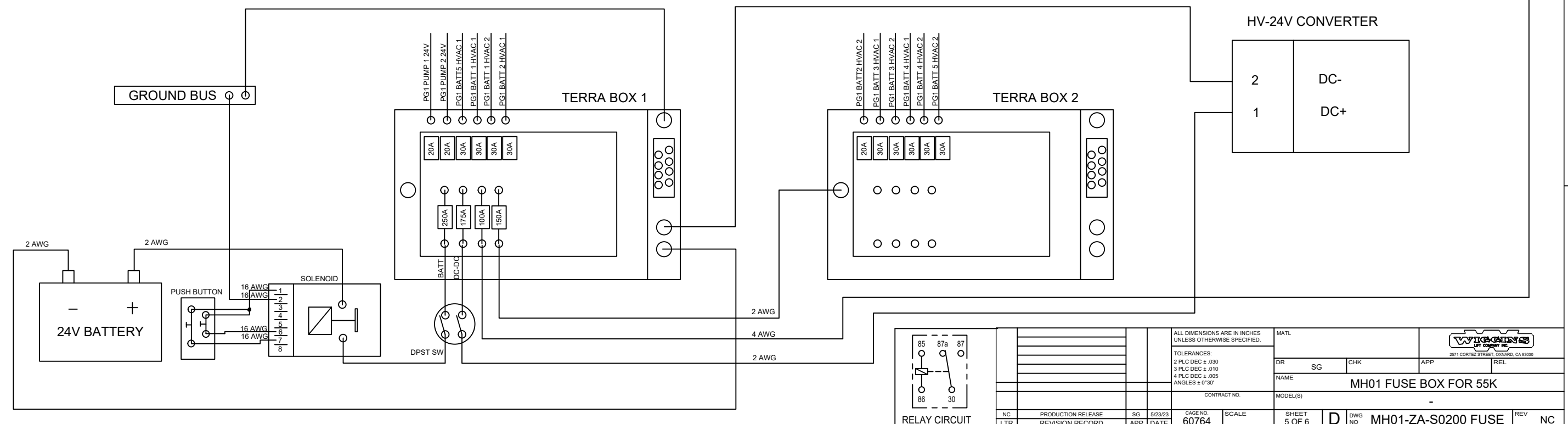
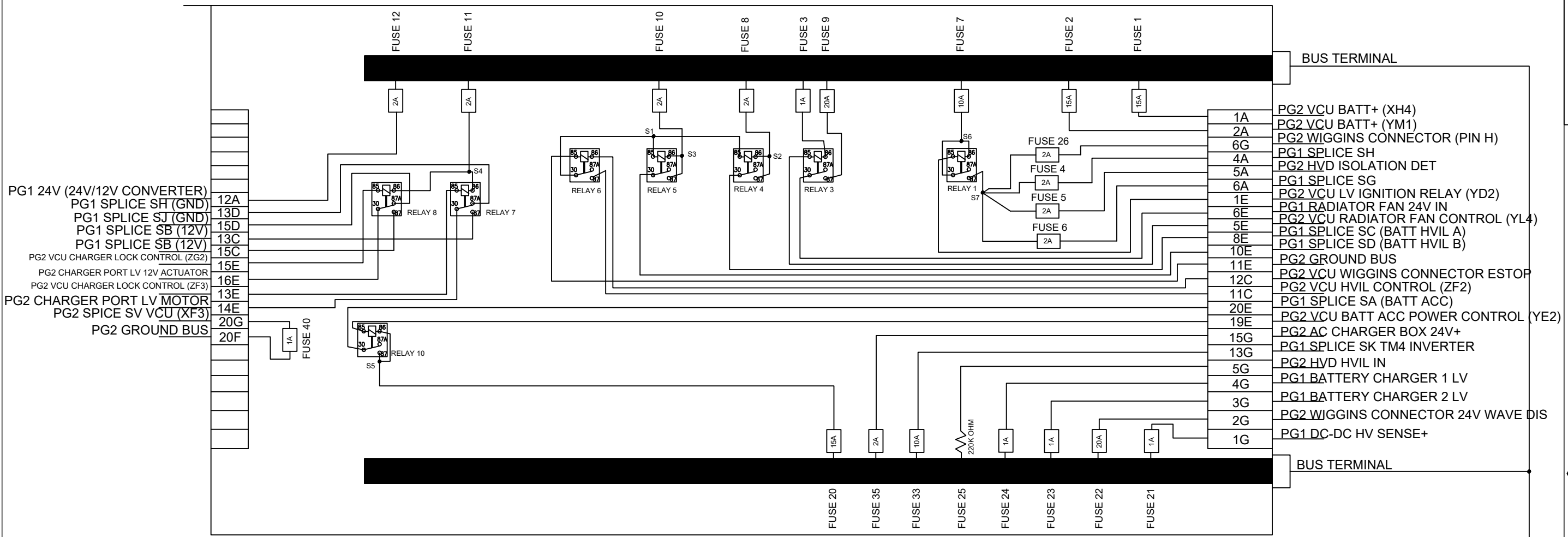
ALL DIMENSIONS ARE IN INCHES UNLESS OTHERWISE SPECIFIED.		MATERIAL	
TOLERANCES: 2 PLC DEC ± .030 3 PLC DEC ± .010 4 PLC DEC ± .005 ANGLES ± 0°30'		DR	SG
CONTRACT NO.		CHK	APP
NAME		REL	
MODEL(S)		MH01 CAN FOR 55K	
NC	PRODUCTION RELEASE	SG	5/23/23
LTR	REVISION RECORD	APP	DATE
CAGE NO. 60764		SCALE	
SHEET 4 OF 6		DWG NO. MH01-ZA-S0200 CAN	
REV NC			

DIAGNOSTIC PORT



MH01-ZA-S0200 FUSE    MH01-ZA-S0200 FUSE

EATON FUSE BOX 15401-2-0-1-0A

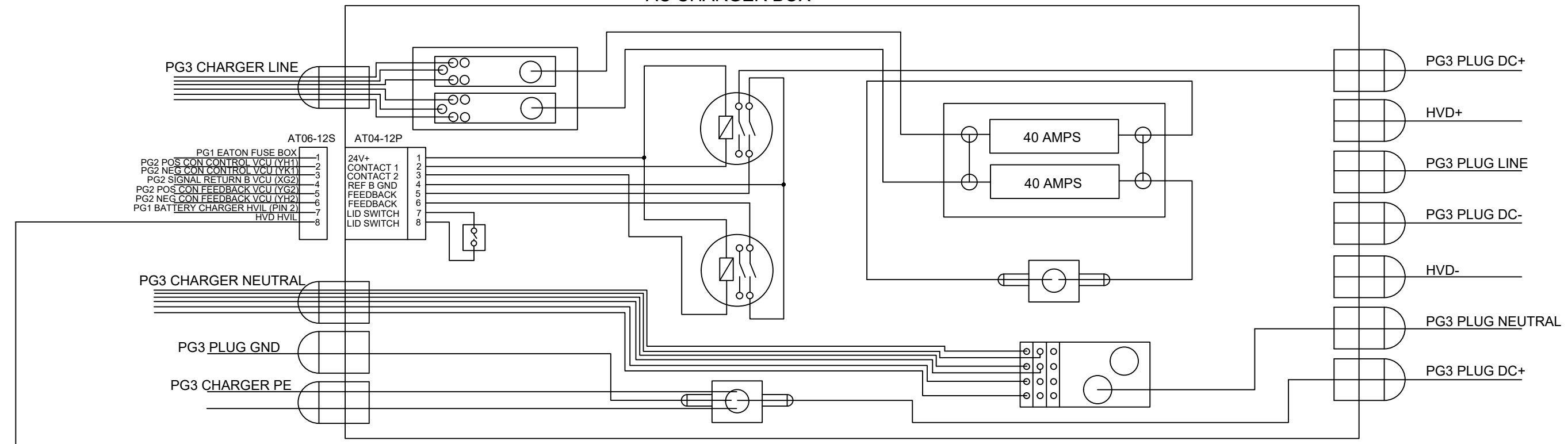


THIS INFORMATION IS CONFIDENTIAL AND IS DISCLOSED TO YOU ON CONDITION THAT NO FURTHER DISCLOSURE IS MADE BY YOU TO OTHER THAN WIGGINS PERSONNEL WITHOUT WRITTEN AUTHORIZATION FROM WIGGINS LIFT COMPANY INC., OXFORD, CA.

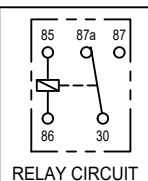
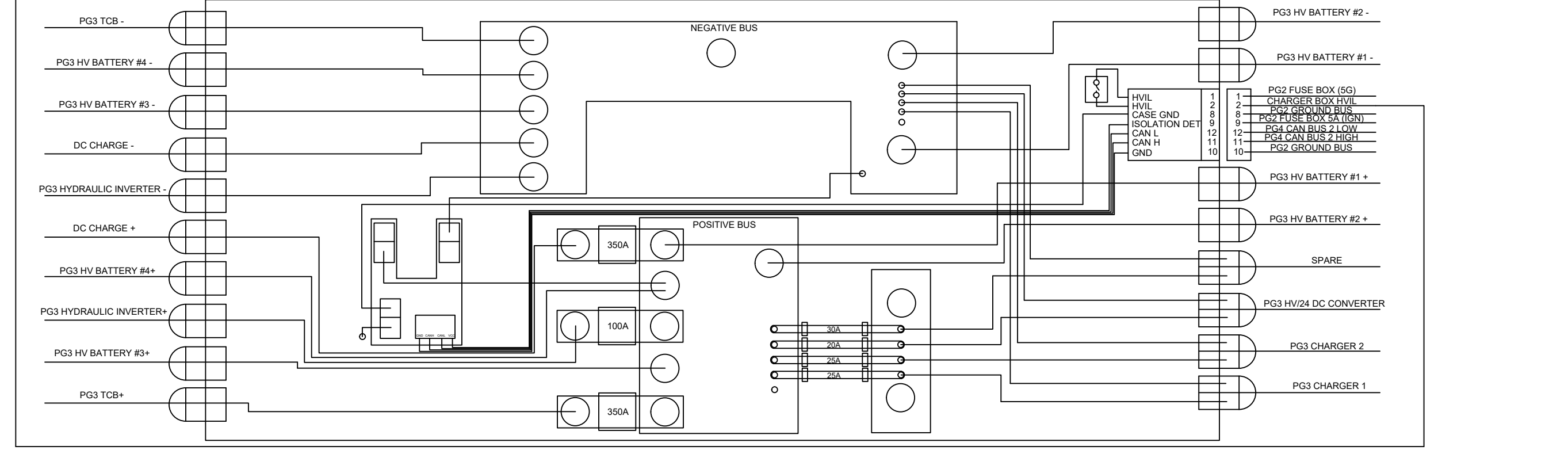
TOLERANCES: 2 PLC DEC ± .030 3 PLC DEC ± .010 4 PLC DEC ± .005 ANGLES ± 0°30'		MATERIAL		 <small>2511 CORTEZ STREET, OXFORD, CA 95330</small>	
DR	SG	CHK	APP	NAME: MH01 FUSE BOX FOR 55K	
CONTRACT NO.				MODEL(S)	
NC	PRODUCTION RELEASE	SG	5/23/23	GAGE NO.	SCALE
LTR	REVISION RECORD	APP	DATE	60764	5 OF 6
SHEET 5 OF 6			D	DWG NO. MH01-ZA-S0200 FUSE	REV NC

MH01-ZA-S0200 HV MH01-ZA-S0200 HV

AC CHARGER BOX

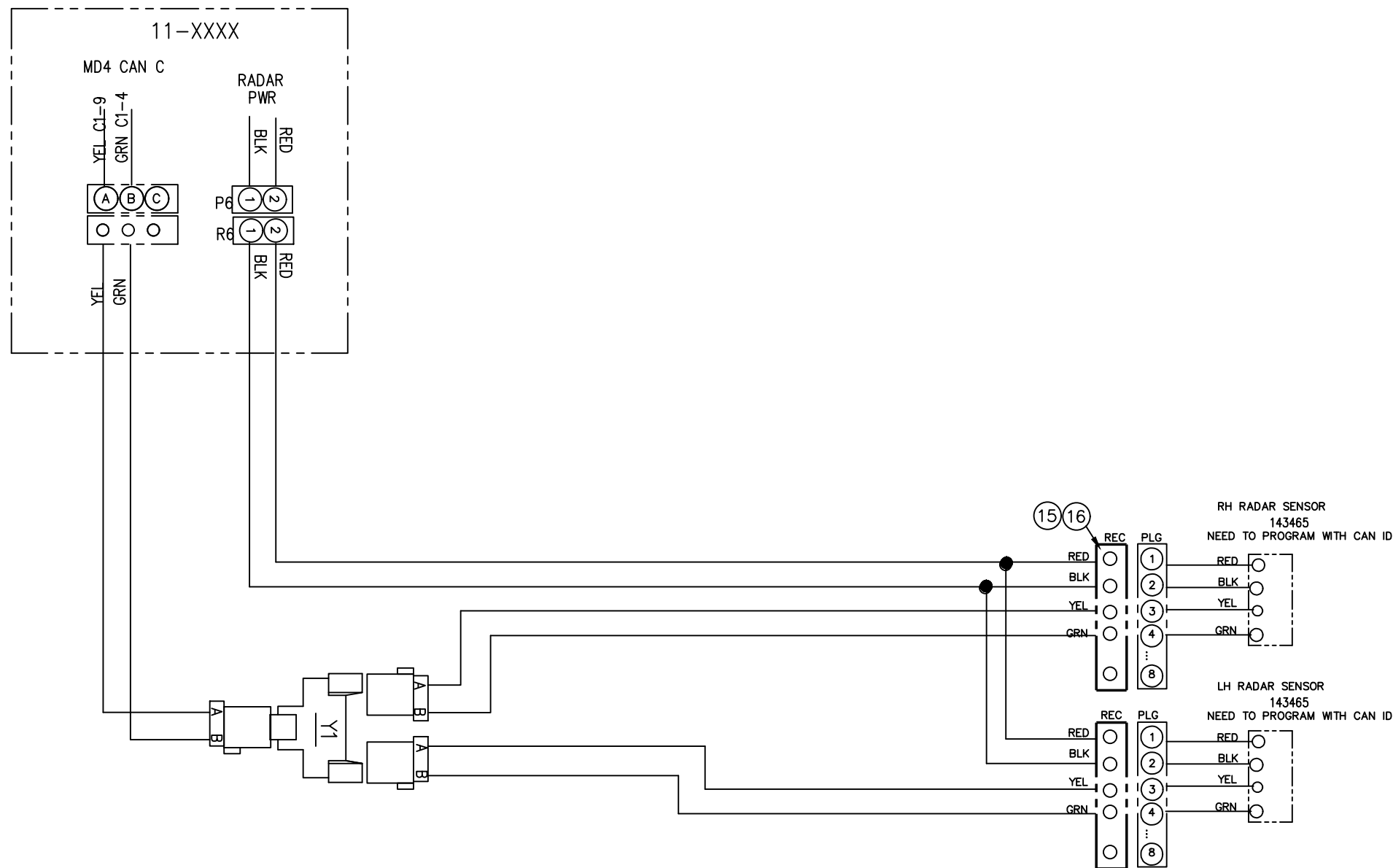


HVD BOX



NC	PRODUCTION RELEASE	SG	5/23/23	EAGE NO.	SCALE	SHEET	D	DWG	MH01-ZA-S0200 HV	REV	NC
LTR	REVISION RECORD	APP	DATE	60764		6 OF 6		NO			

THIS INFORMATION IS CONFIDENTIAL AND IS DISCLOSED TO YOU ON CONDITION THAT NO FURTHER DISCLOSURE IS MADE BY YOU TO OTHER THAN WIGGINS PERSONNEL WITHOUT WRITTEN AUTHORIZATION FROM WIGGINS LIFT COMPANY INC., OAKLAND, CA.

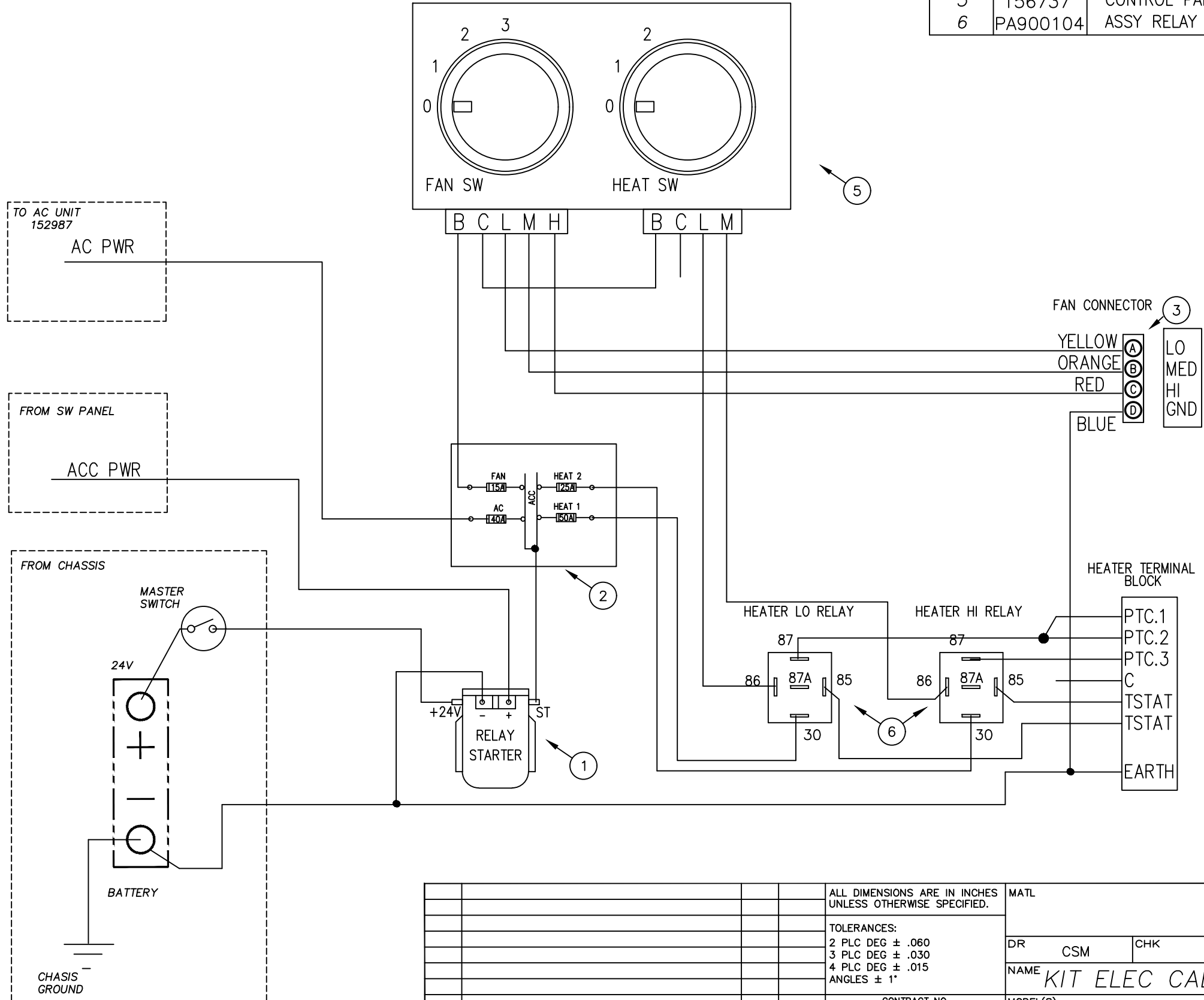


THIS INFORMATION IS CONFIDENTIAL AND IS DISCLOSED TO YOU ON CONDITION THAT NO FURTHER DISCLOSURE IS MADE BY YOU TO OTHER THAN WIGGINS PERSONNEL WITHOUT WRITTEN AUTHORIZATION FROM WIGGINS LIFT COMPANY INC., OXNARD, CA.

				ALL DIMENSIONS ARE IN INCHES UNLESS OTHERWISE SPECIFIED.		MATERIAL		 2571 CORTEZ STREET, OXNARD, CA 93030	
				TOLERANCES: 2 PLC DEG ± .060 3 PLC DEG ± .030 4 PLC DEG ± .015 ANGLES ± 1°		DR DR CHK APP REL			
				CONTRACT NO.		NAME		KITPRECORADAR	
				MODEL(S)					
NC	PRODUCTION RELEASE	CSM	9/18	CAGE NO.	SCALE	SHEET	C	DWG NO.	REV
LTR	REVISION RECORD	APP	DATE	60764	SCALE	SHT		36-50EB	REV

ITEM	PART NO	DESCRIPTION	QTY
1	156413	RELAY 24V 125A	1
2	138067	FUSE BLOCK 4P BLADE TYPE ATO	1
3	119974A	ASSY CONNECTOR DEUTSCH REC 4P	1
4	156733	CAB HEATER ELEC DUCT 24V 1200W	1
5	156737	CONTROL PANEL HEATER	1
6	PA900104	ASSY RELAY AUTO 5 PRO 24V 40A	2

156732  
A  
D

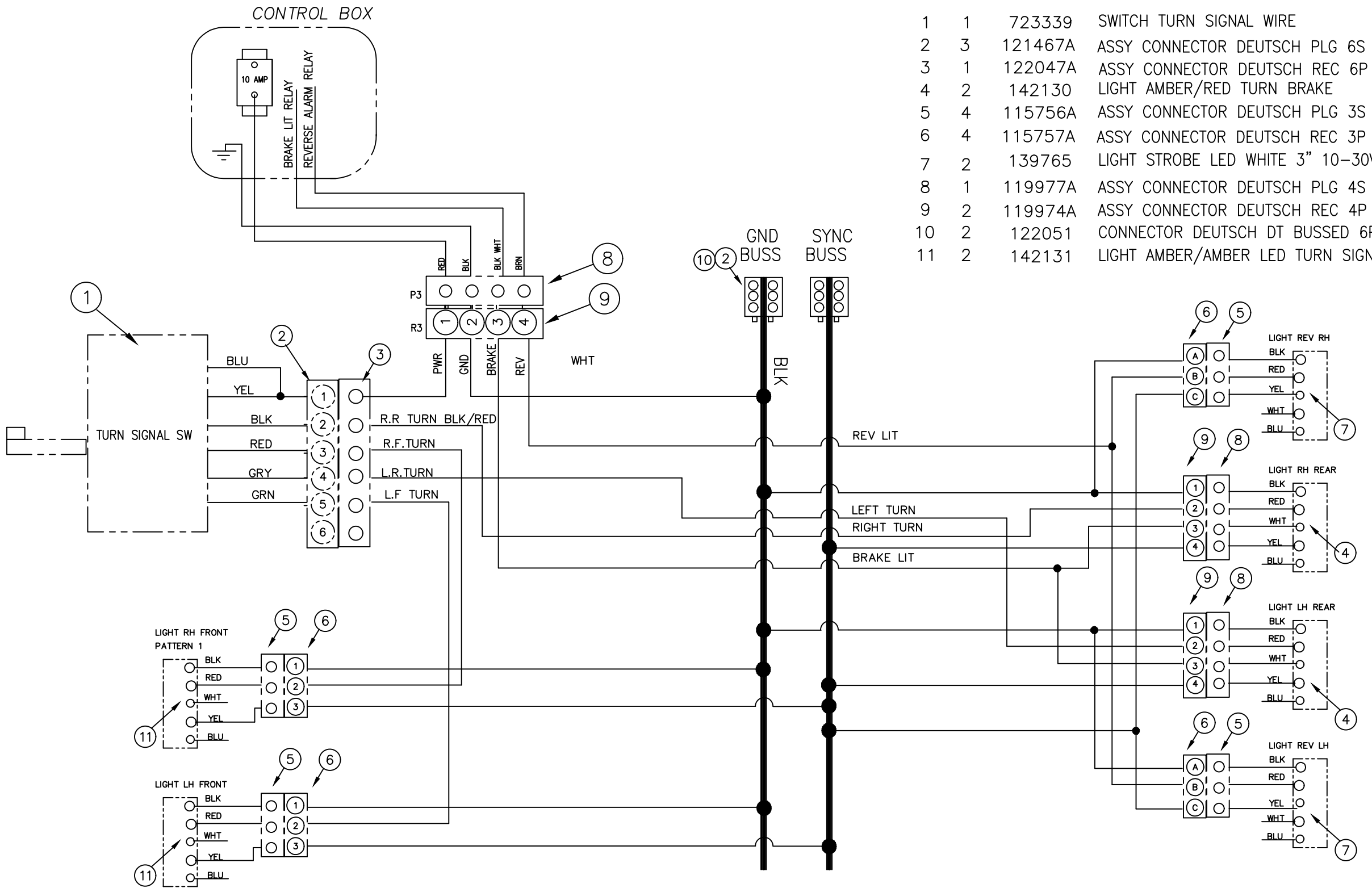


THIS INFORMATION IS CONFIDENTIAL AND IS DISCLOSED TO YOU ON CONDITION THAT NO FURTHER DISCLOSURE IS MADE BY YOU TO OTHER THAN WIGGINS PERSONNEL WITHOUT WRITTEN AUTHORIZATION FROM WIGGINS LIFT COMPANY INC., OXNARD, CA.

ALL DIMENSIONS ARE IN INCHES UNLESS OTHERWISE SPECIFIED.				MATERIAL		 2571 CORTEZ STREET, OXNARD, CA 93030	
TOLERANCES: 2 PLC DEG ± .060 3 PLC DEG ± .030 4 PLC DEG ± .015 ANGLES ± 1°				DR	CSM	CHK	REL
CONTRACT NO.				NAME <b>KIT ELEC CAB HEATER 24V 1200W</b>			
MODEL(S)							
A	FUSING AND WIRING CHANGED	WS	12/24	CAGE NO.	SCALE	SHEET	REV
NC	PRODUCTION RELEASE	CSM	9/22	60764	NTS	1 OF 1	A
LTR	REVISION RECORD	APP	DATE			156732	

C  
B  
A

ITEM	QTY	PART NO	DESCRIPTION
1	1	723339	SWITCH TURN SIGNAL WIRE
2	3	121467A	ASSY CONNECTOR DEUTSCH PLG 6S
3	1	122047A	ASSY CONNECTOR DEUTSCH REC 6P
4	2	142130	LIGHT AMBER/RED TURN BRAKE
5	4	115756A	ASSY CONNECTOR DEUTSCH PLG 3S
6	4	115757A	ASSY CONNECTOR DEUTSCH REC 3P
7	2	139765	LIGHT STROBE LED WHITE 3" 10-30V
8	1	119977A	ASSY CONNECTOR DEUTSCH PLG 4S
9	2	119974A	ASSY CONNECTOR DEUTSCH REC 4P
10	2	122051	CONNECTOR DEUTSCH DT BUSSED 6P
11	2	142131	LIGHT AMBER/AMBER LED TURN SIGNAL

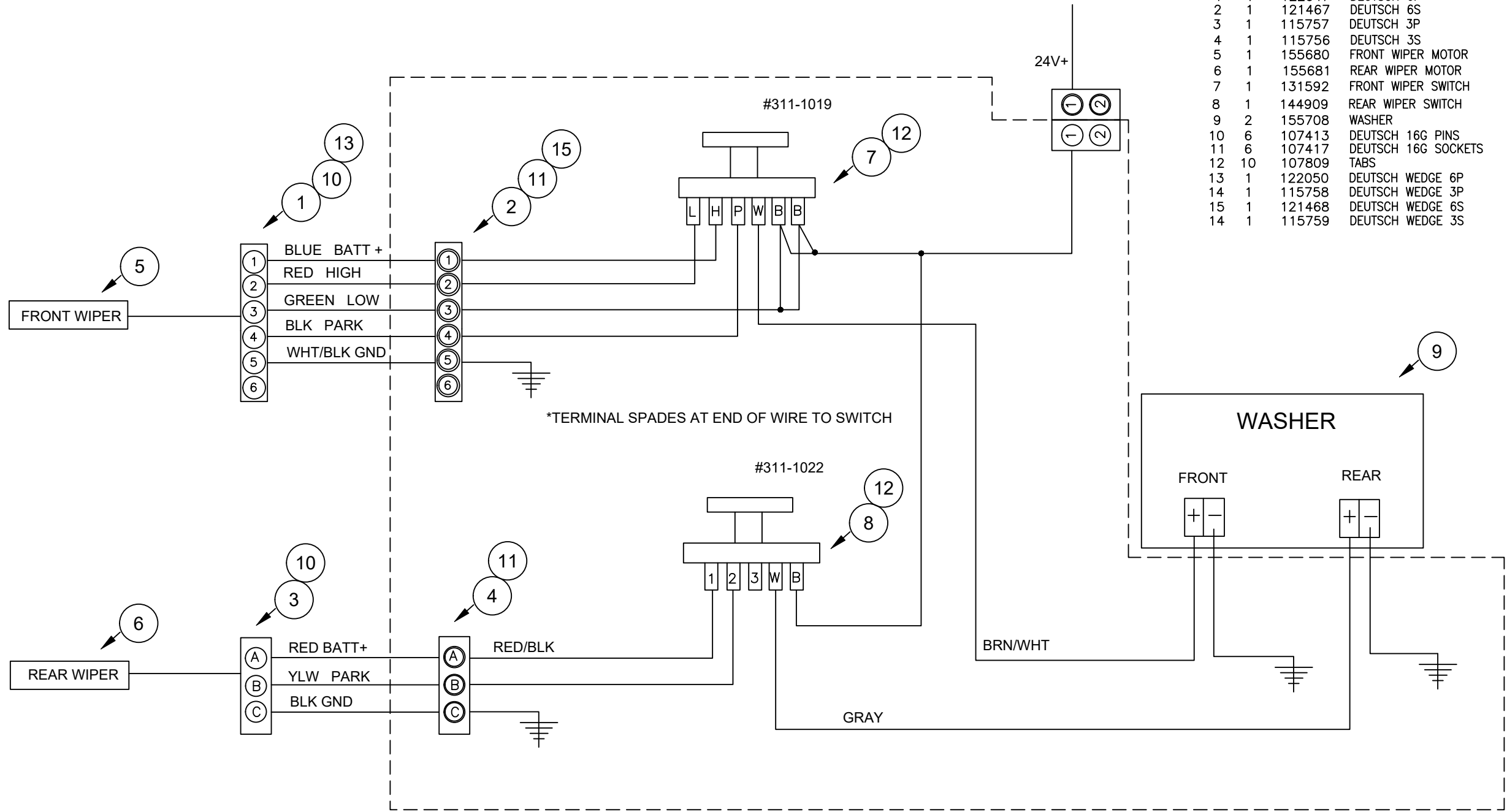


CHANGE THE BULB OF ITEM 3 WITH ITEM 14.

THIS INFORMATION IS CONFIDENTIAL AND IS DISCLOSED TO YOU ON CONDITION THAT NO FURTHER DISCLOSURE IS MADE BY YOU TO OTHER THAN WIGGINS PERSONNEL WITHOUT WRITTEN AUTHORIZATION FROM WIGGINS LIFT COMPANY INC., OXNARD, CA.

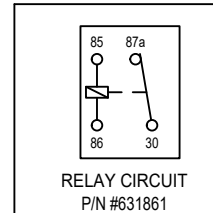
ALL DIMENSIONS ARE IN INCHES UNLESS OTHERWISE SPECIFIED.				MATERIAL		 2571 CORTEZ STREET, OXNARD, CA 93030	
TOLERANCES: 2 PLC DEG ± .060 3 PLC DEG ± .030 4 PLC DEG ± .015 ANGLES ± 1°				DR	DR	CHK	APP
NAME				KITBRAKE/BACK/TURN24VLED			
MODEL(S)							
C	ADDED SPLICE TO REV PIN C TO BUSS	SG	12/24	CAGE NO.	SCALE	SHEET	REV
B	REMOVED INLINE FUSES	SG	4/4/23	60764	SCALE	SHEET	REV
A	FIXED STRUCTURING/BOM	SG	4/4/23				
NC	PRODUCTION RELEASE	CSM	9/18				
LTR	REVISION RECORD	APP	DATE				

ITEM	QTY	PART NO	DESCRIPTION
1	1	122047	DEUTSCH 6P
2	1	121467	DEUTSCH 6S
3	1	115757	DEUTSCH 3P
4	1	115756	DEUTSCH 3S
5	1	155680	FRONT WIPER MOTOR
6	1	155681	REAR WIPER MOTOR
7	1	131592	FRONT WIPER SWITCH
8	1	144909	REAR WIPER SWITCH
9	2	155708	WASHER
10	6	107413	DEUTSCH 16G PINS
11	6	107417	DEUTSCH 16G SOCKETS
12	10	107809	TABS
13	1	122050	DEUTSCH WEDGE 6P
14	1	115758	DEUTSCH WEDGE 3P
15	1	121468	DEUTSCH WEDGE 6S
14	1	115759	DEUTSCH WEDGE 3S



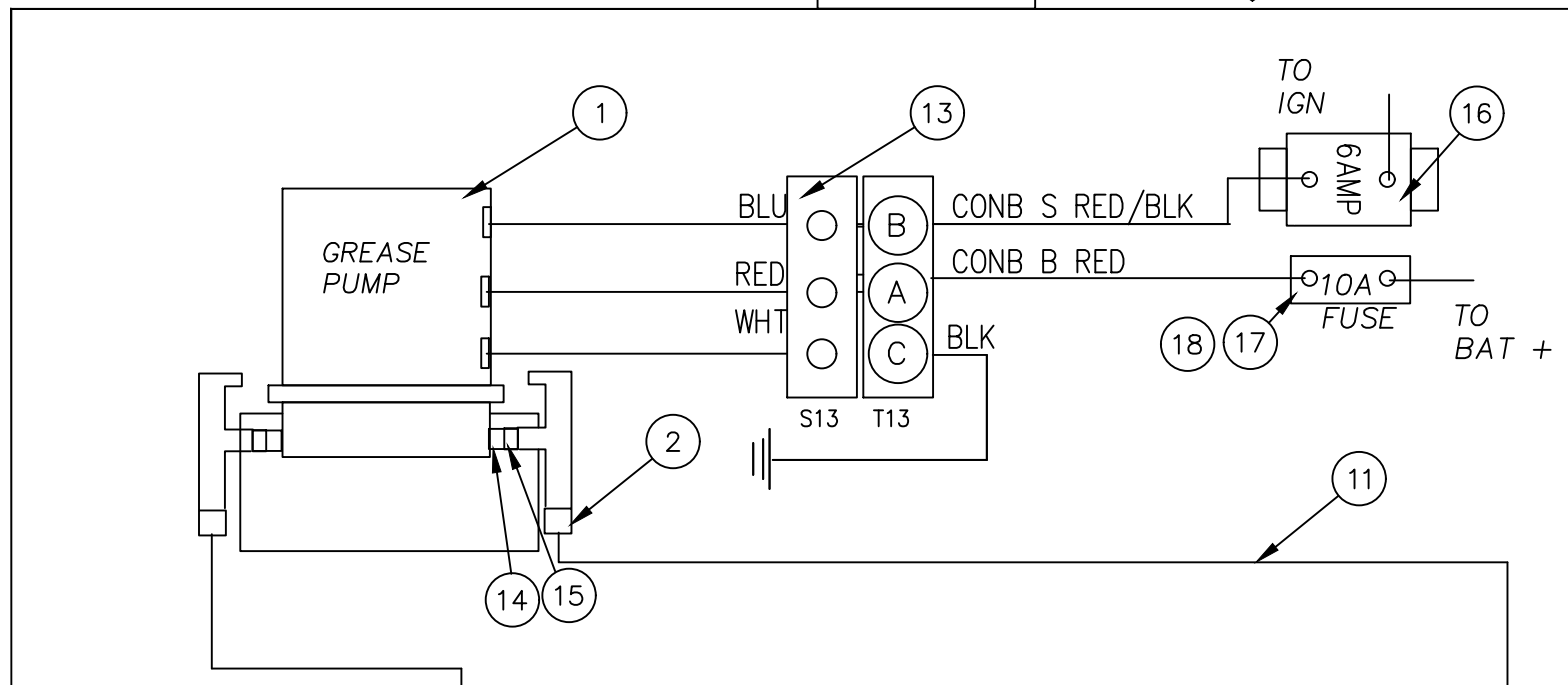
NOTE:  
REFERENCE: 107804

1. FOR OPEN WIRE AND NOT LISTED PIN, INSTALL SEALING PLUG IN THE CONNECTOR.
2. ALL WIRE 16GA UNLESS SPECIFIED.

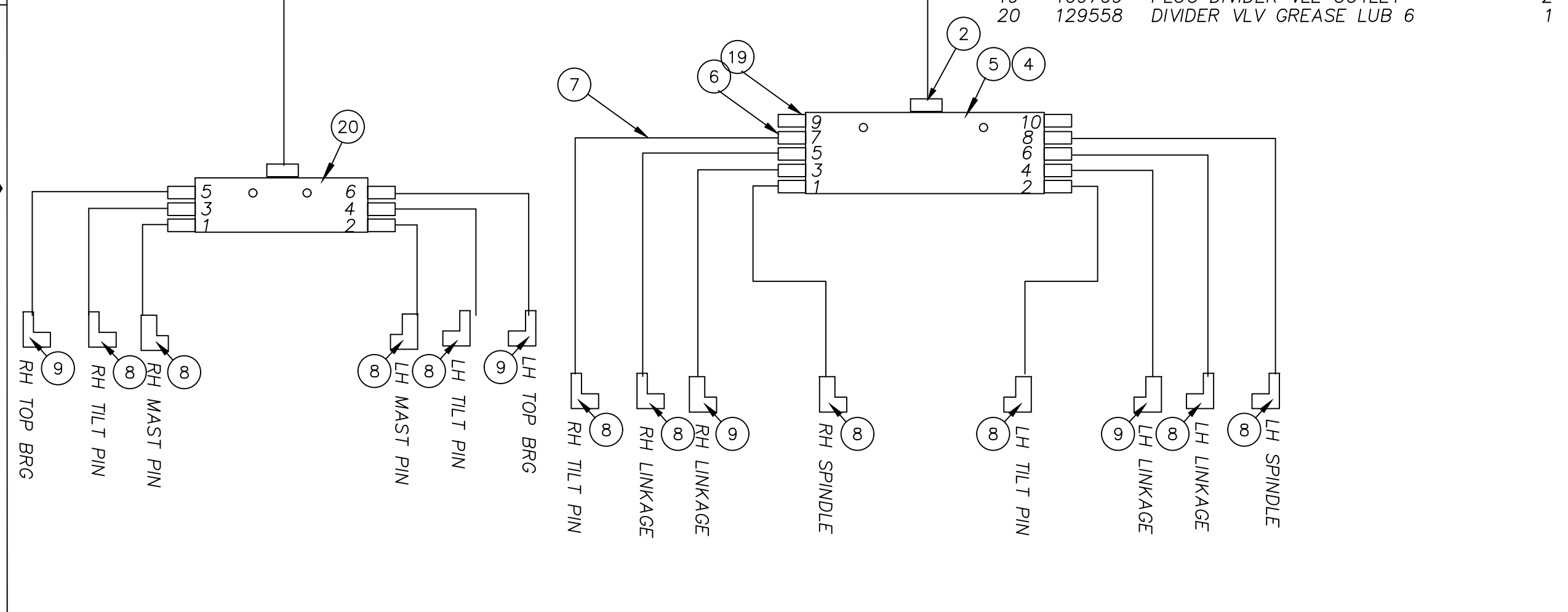


ALL DIMENSIONS ARE IN INCHES UNLESS OTHERWISE SPECIFIED.		MATERIAL	
TOLERANCES: 2 PLC DEC ± .030 3 PLC DEC ± .010 4 PLC DEC ± .005 ANGLES ± 0°30'		DR	SG
CONTRACT NO.		CHK	APP
NAME		REL	
MODEL(S)		HARNES 24V WIPER SYSTEM	
NC	PRODUCTION RELEASE	SG	2/10/23
LTR	REVISION RECORD	APP	DATE
CAGE NO.	SCALE	SHEET	D
60764	1/1	1 OF 1	NO
REV		156713	
NC			


THIS INFORMATION IS CONFIDENTIAL AND IS DISCLOSED TO YOU ON CONDITION THAT NO FURTHER DISCLOSURE IS MADE BY YOU TO OTHER THAN WIPERS PERSONNEL WITHOUT WRITTEN AUTHORIZATION FROM WIPERS LPT COMPANY INC., OXNARD, CA



ITEM	PART NO	DESCRIPTION	QTY
1	109701	PUMP GREASE LUBRATE 24V	1
2	109941	FTG 4MFS-2MP O FACE	4
3	-	-	-
4	145716	BRKT GRS DIV LUB 10	1
5	111427	DIVIDER VLV GREASE LUB 10	1
6	114013	FTG DIVIDER VLV OUTLE 1/4 w/CHECK	10
7	109710	NYLON TUBING FEEDLINE 50F	2
8	109703	FTG EL 1/4TUBE-1/8MP SW	10
9	109704	FTG 1/4TUBE-1/8MP	4
10	-	-	-
11	110489	HOSE 4FFS-4 122" 4FFS	1
13	112222	HARNESH AUTO LUB	1
14	113985	PUMP ELEMENT GREASE	2
15	114012	FTG 1/8FNPT-1/8MNPT GREASE	2
16	900040	CIRCUIT BREAKER 10 AMP 24V	1
17	530876	FUSE HOLDER W/14 GAUGE WI	1
18	199973	FUSE 10 AMP AGC	1
19	109709	PLUG DIVIDER VLE OUTLET	2
20	129558	DIVIDER VLV GREASE LUB 6	1



THIS INFORMATION IS CONFIDENTIAL AND IS DISCLOSED TO YOU ON CONDITION THAT NO FURTHER DISCLOSURE IS MADE BY YOU TO OTHER THAN WIGGINS PERSONNEL WITHOUT WRITTEN AUTHORIZATION FROM WIGGINS LIFT COMPANY INC., OXNARD, CA.

ALL DIMENSIONS ARE IN INCHES UNLESS OTHERWISE SPECIFIED.				MATERIAL		 2571 CORTEZ STREET, OXNARD, CA 93030	
TOLERANCES: 2 PLC DEG ± .060 3 PLC DEG ± .030 4 PLC DEG ± .015 ANGLES ± 1°				DR	ECB	CHK	REL
NAME				LUBRICAT SYS AUTO 24V 14P			
CONTRACT NO.				MODEL(S)			
NC	PRODUCTION RELEASE	ECB	10/19	CAGE NO.	SCALE	SHEET	REV
LTR	REVISION RECORD	APP	DATE	60764	NTS	1 OF 1	NC
				DWG No		33-01-09	